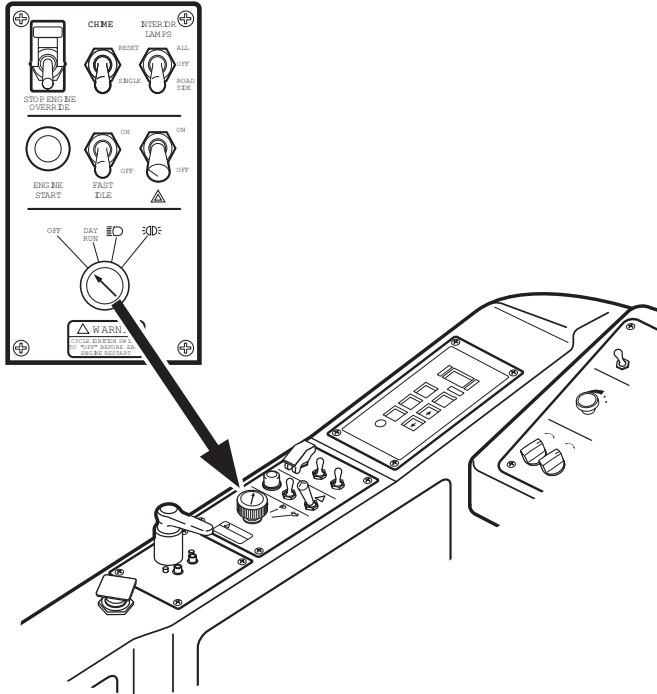


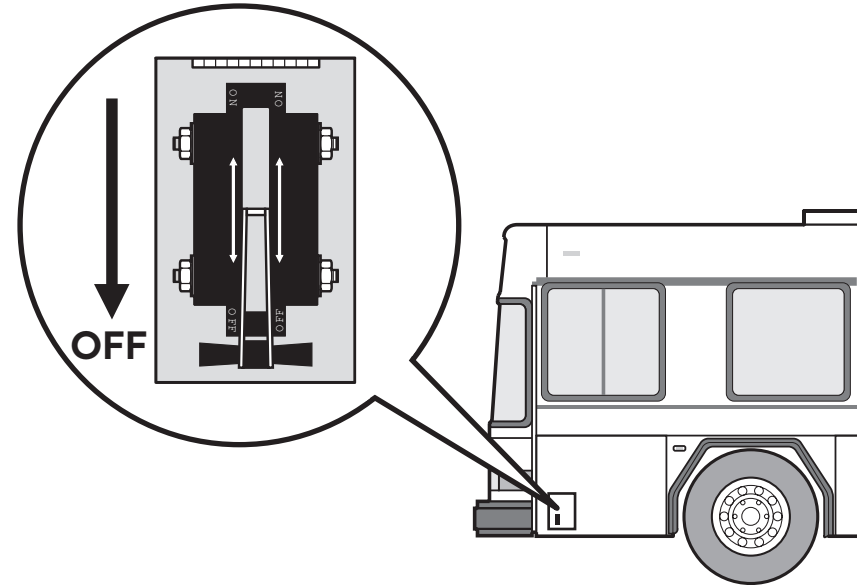
EMERGENCY MANUAL SHUTDOWN

For GILLIG BAE Hybrid Electric Bus

- 1** Turn master run control to “OFF” and set parking brake



- 2** Turn off battery disconnect switch
(See the reverse side of this card)



- 3** Inform emergency personnel of the onboard high-voltage components
(See the reverse side of this card)

- 4** Wait mandatory 4 minute discharge period after shutdown before accessing BAE hybrid drive components!

GILLIG

51-82371-001
©2020 GILLIG LLC

PRECAUTIONS

For GILLIG BAE Hybrid Electric Bus



WARNING



Operating voltage of the hybrid drive system is 640 VOLTS!

Redundant HVIL (high voltage interlock loop) systems protect all circuits and components, but it is still possible to receive a fatal electric shock from the hybrid system. Avoid cutting, or even handling, orange high-voltage cables or hybrid components, as this could result in severe injury or death!

See reverse of this card for system shutdown information.



WARNING



If working near high voltage cabling or components, use 1,000 VDC electrical gloves, rubber-soled shoes, and make sure you and the environment are perfectly dry.



WARNING



In Case of Fire:

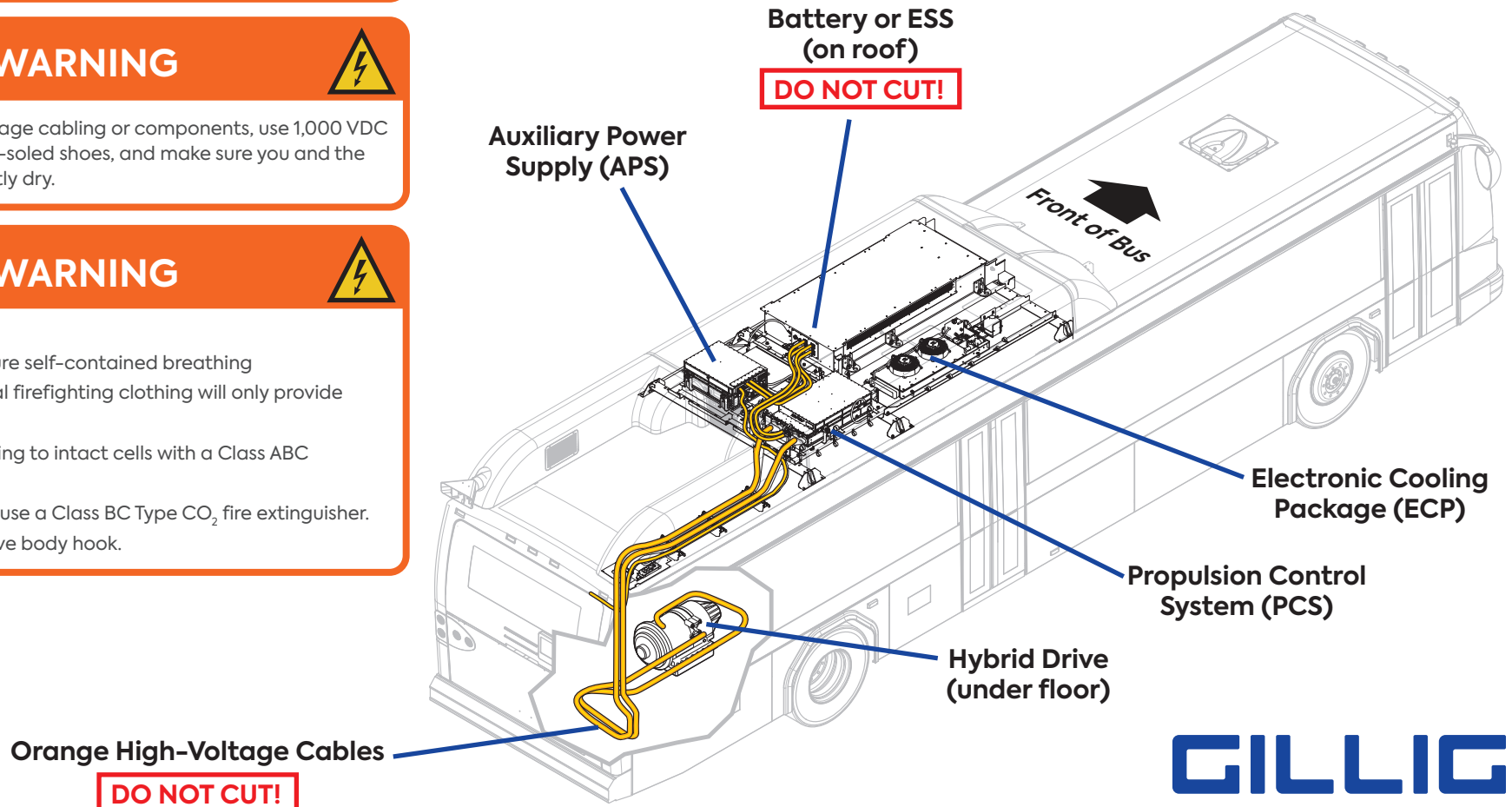
- Wear positive pressure self-contained breathing apparatus; structural firefighting clothing will only provide limited protection.
- Extinguish fires relating to intact cells with a Class ABC fire extinguisher.
- If cells are ruptured, use a Class BC Type CO₂ fire extinguisher.
- Use a non-conductive body hook.



WARNING



Lithium ion batteries contain flammable liquid electrolyte that may vent, ignite, and produce sparks when subjected to temperatures higher than 150° C (302° F) when damaged. Burning cells can ignite other batteries in close proximity. The interaction of water or water vapor and exposed lithium hexafluorophosphate (Li PF₆) may result in the generation of hydrogen and hydrogen fluoride (HF) gas. Contact with battery electrolyte may be irritating to skin, eyes, and mucous membranes. Fire will produce irritating, corrosive, and/or toxic gases. Fumes may cause dizziness or suffocation.



GILLIG

51-82371-001
©2020 GILLIG LLC