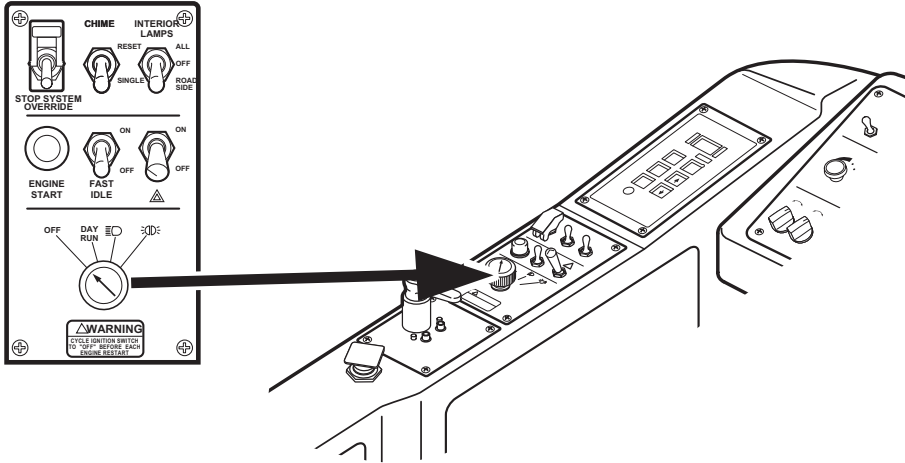


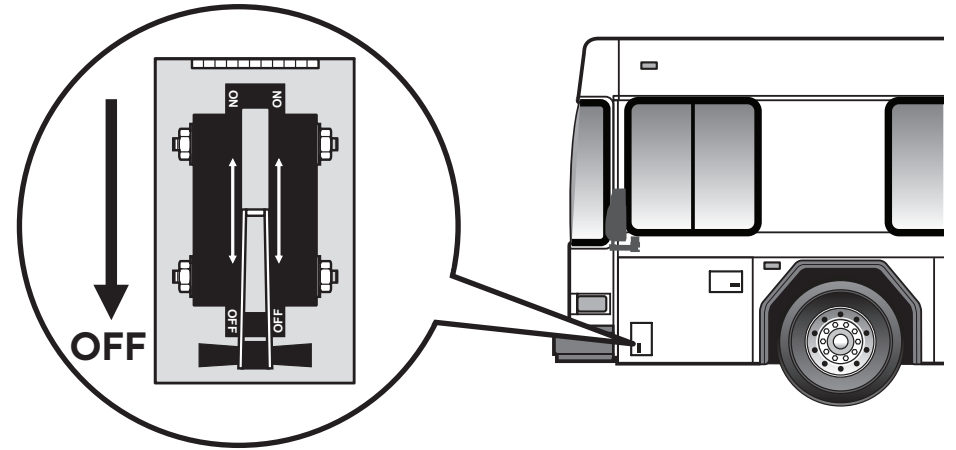
EMERGENCY MANUAL SHUTDOWN

For GILLIG 8-Tank CNG Bus

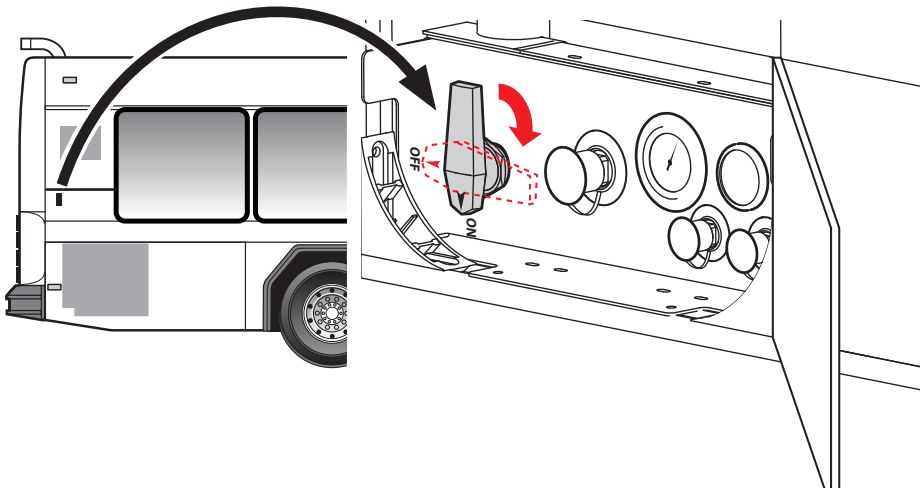
- 1** Turn master run control to “OFF” and set parking brake



- 2** Turn off battery disconnect switch (Streetside, Front of Bus)



- 3** Shut off main fuel supply to engine at 1/4-turn valve (Curbside, Rear of Bus)



- 4** Inform emergency personnel!
(See the reverse side of this card)

GILLIG

51-82371-002
©2020 GILLIG LLC

PRECAUTIONS

For GILLIG 8-Tank CNG Bus



WARNING



Storage pressure of CNG (Compressed Natural Gas) is up to 4,000 psi. Avoid cutting all fuel supply piping.

See reverse of this card for system shutdown information.



WARNING



Beware of any fire, sparks, or electrostatic charges before approaching the vehicle.



WARNING



Gas may be present in fuel lines after all valves have been turned off.

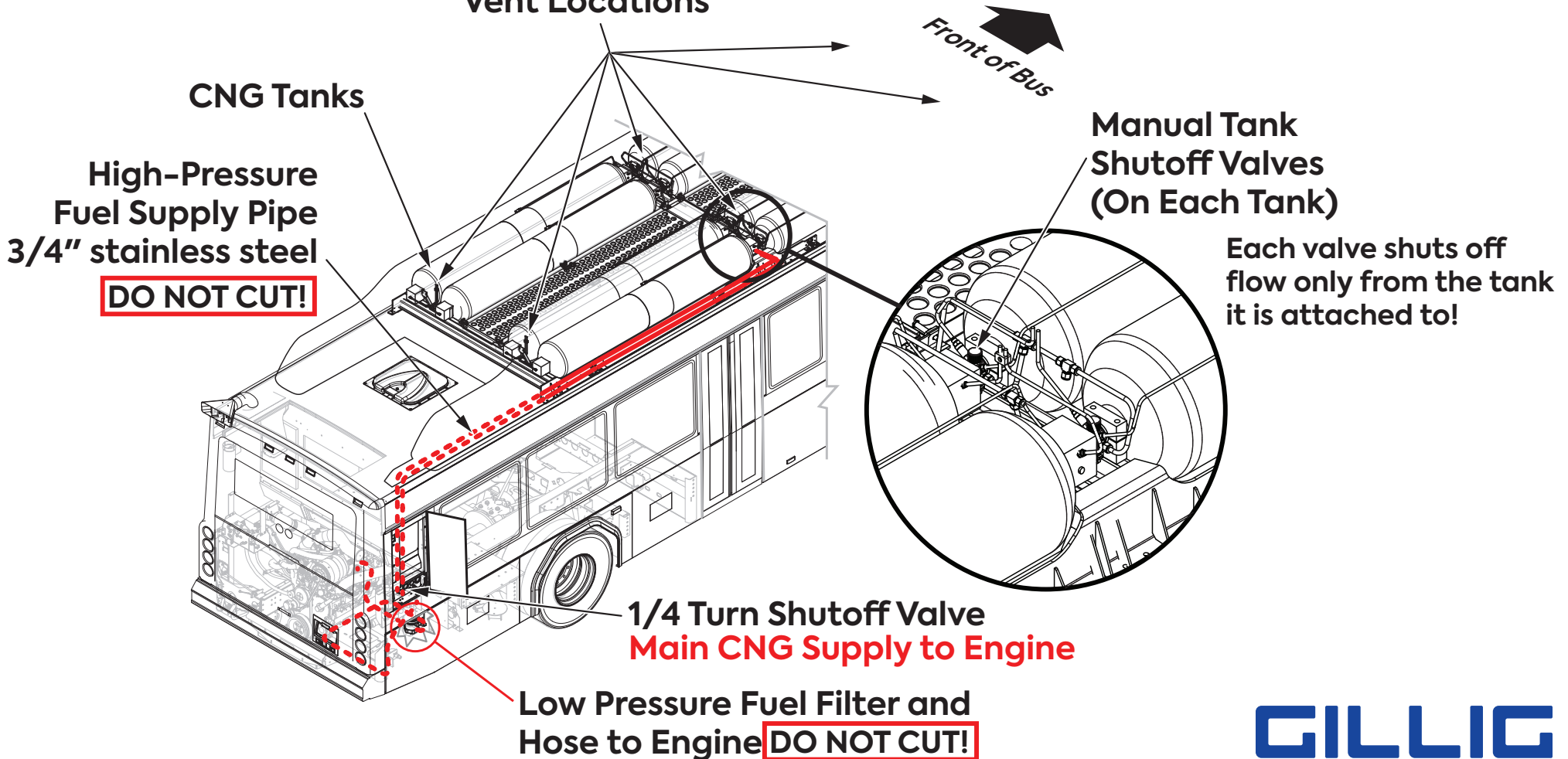


WARNING



In the event of a fire: All tanks are equipped with thermal activated pressure relief devices that will vent fuel stored in the tanks. These devices vent fuel upward.

Pressure Relief Vent Locations



GILLIG

51-82371-002
©2020 GILLIG LLC